

Design
Supply
Service



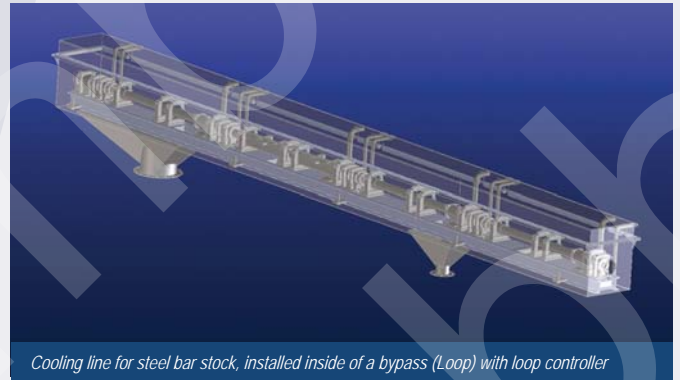
Special-purpose Machines



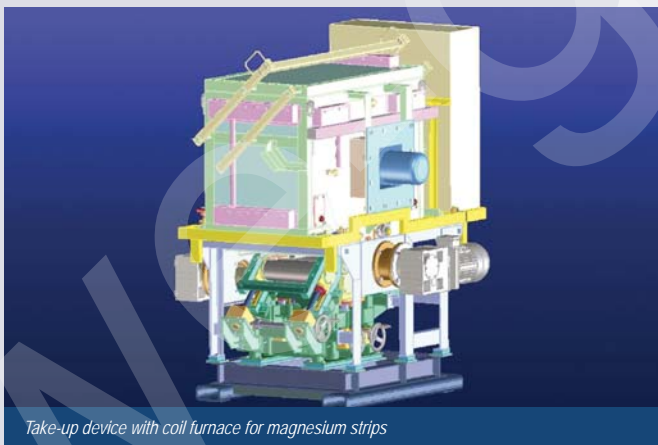
www.mwe-gmbh.com

Special-purpose Machines

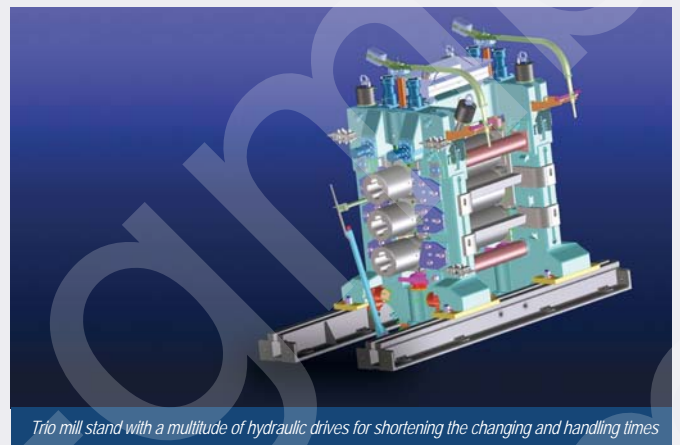
MWE designs, manufactures and supplies special-purpose machines of the rolling mill and metallurgical industry for a wide variety of different applications. In close cooperation with you, we find technical solutions which meet the local conditions on-site and which correspond to the latest state-of-the-art techniques and to the special requirements of the necessary technology. The machines and equipment will be erected and commissioned by us on-site.



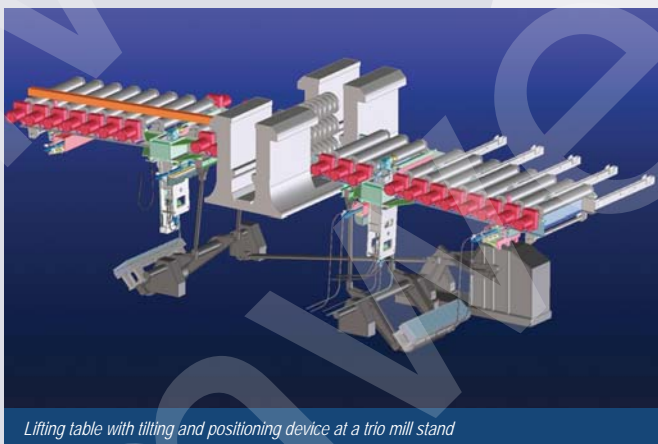
Cooling line for steel bar stock, installed inside of a bypass (Loop) with loop controller



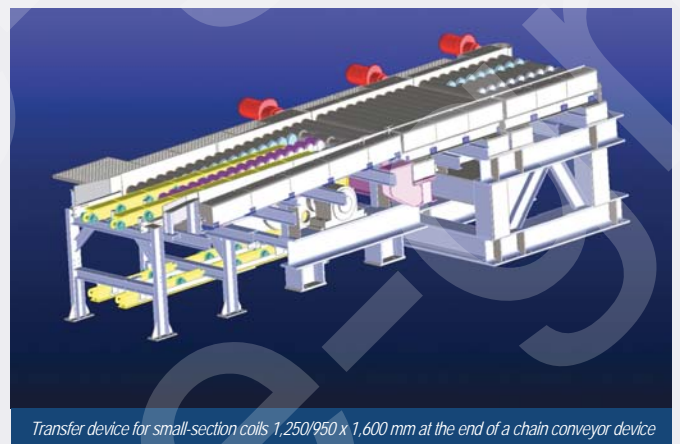
Take-up device with coil furnace for magnesium strips



Trio mill stand with a multitude of hydraulic drives for shortening the changing and handling times



Lifting table with tilting and positioning device at a trio mill stand



Transfer device for small-section coils 1,250/950 x 1,600 mm at the end of a chain conveyor device



www.mwe-gmbh.com

**MWE Magdeburger
Walzwerk Engineering GmbH**
Schilfbreite 3
39120 Magdeburg
Phone: +49 391 6 07 44-60
Telefax: +49 391 6 07 44-70
Email: info@mwe-gmbh.com

Russia
Alexander Bart
Eurotechinvest
Kachowka, House 30
Floor I, Residence 13
117461 Moscow
Phone: +7 966 8 23 40 19
+43 664 9 69 10 78
Telefax: +7 664 9 69 10 78
Email: russia@mwe-gmbh.com

India
Birinder Singh Dhanjal
Rana Udyog (P) Ltd
46C Chowringhee Road
18D Everest House
Kolkata - 700071
West Bengal, India
Phone: +91 98 31 62 89 32
Telefax: +91 33 22 88 92 47
Email: india@mwe-gmbh.com

Korea
Hae Young Jung
INA Corporation
#1714, Ace High Tech 21 Bldg.
1470, Woo-Dong, HaeUnDae-Gu,
Busan 612-020, South Korea
Phone: +82 51 467 5288
Telefax: +82 51 467 5289
Email: korea@mwe-gmbh.com