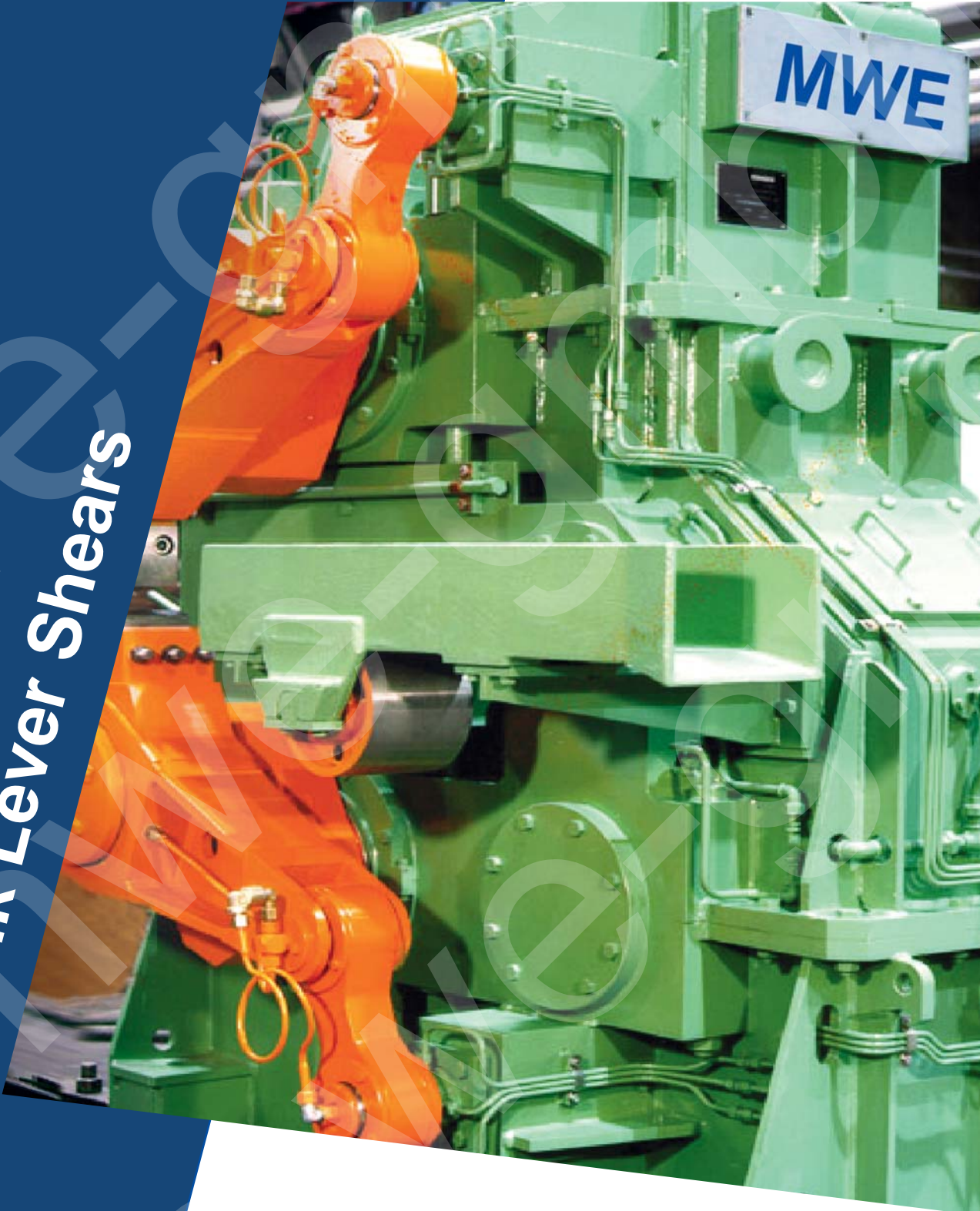


Design
Supply
Service



Crank Lever Shears



www.mwe-gmbh.com

Crank Lever Shears

Crank lever shears working as the crank-and-rocker principle of operation. Whilst performing the shearing operation the knives are almost perpendicular to the stock to be cut. This shears are suited to crop, to cut sections and cooling bed lengths as well as for emergency cutting.

Types of shears available

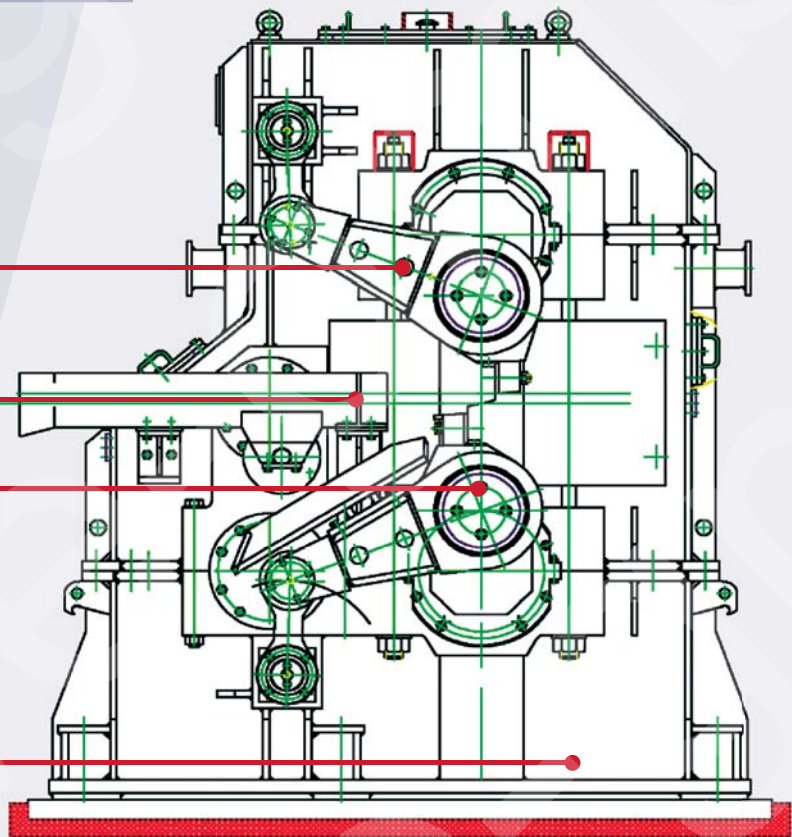
Type	KHS355	KHS630	KHS1250
Cutting force (kN)	360	660	1,250
Material speed (m/s)	0.5 - 2.5	0.16 - 1.15	0.1 - 1
		1.0 - 1.8	0.75 - 1.45

Crank lever mechanism

Guide trough

Knife carrier

Base frame



www.mwe-gmbh.com

MWE Magdeburger
Walzwerk Engineering GmbH
Schilfbreite 3
39120 Magdeburg
Phone: +49 391 6 07 44-60
Telefax: +49 391 6 07 44-70
Email: info@mwe-gmbh.com

Russia
Alexander Bart
Eurotechinvest
Kachowka, House 30
Floor I, Residence 13
117461 Moscow
Phone: +7 966 8 23 40 19
+43 664 9 69 10 78
Telefax: +7 664 9 69 10 78
Email: russia@mwe-gmbh.com

India
Birinder Singh Dhanjal
Rana Udyog (P) Ltd
46C Chowringhee Road
18D Everest House
Kolkata - 700071
West Bengal, India
Phone: +91 98 31 62 89 32
Telefax: +91 33 22 88 92 47
Email: india@mwe-gmbh.com

Korea
Hae Young Jung
INA Corporation
#1714, Ace High Tech 21 Bldg.
1470, Woo-Dong, HaeUnDae-Gu,
Busan 612-020, South Korea
Phone: +82 51 467 5288
Telefax: +82 51 467 5289
Email: korea@mwe-gmbh.com