

Design  
Supply  
Service



**Crank Shear with two Knife Tracks**



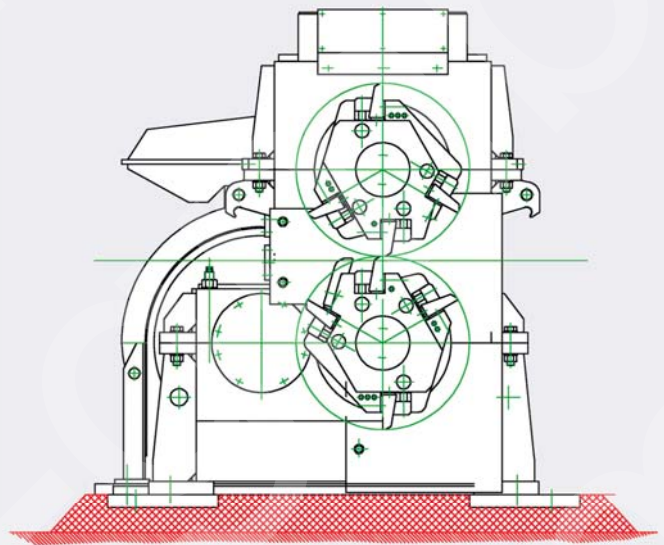
[www.mwe-gmbh.com](http://www.mwe-gmbh.com)

# Crank Shear with two Knife Tracks

Crank shear with two knife tracks. First track with one knife, second track with three knives per knife carrier.

The design of the knife carrier will be adopted to the required application, e.g.:

- One knife track, one knife: cropping, dividing  
(e.g. cooling bed lengths)
- One knife track, two knives: cropping, emergency cutting
- One knife track, various knives: short emergency lengths
- Two knife tracks, with additional switch:
  - 1st track one knife: cropping, dividing
  - 2nd track various knives: short emergency lengths



Shear start is initiated by pulse generator (billet head end). Cut according to chosen crop length. After cutting, the shear is stopped again. Crop end diverted into scrap disposal system.

Type	KS200	KS315	KS355	KS355	KS400	KS400	KS560
No. of knife tracks	2	1	2	1	1	2	1
Cutting force (kN)	200	315	360	360	400	400	580
Material speed (m/s)	2 - 5	1.9 - 13.3	1.4 - 7.2	0.5 - 2.8	1.6 - 16	1.4 - 5	0.7 - 11



[www.mwe-gmbh.com](http://www.mwe-gmbh.com)

MWE Magdeburger  
Walzwerk Engineering GmbH  
Schilfbreite 3  
39120 Magdeburg  
Phone: +49 391 6 07 44-60  
Telefax: +49 391 6 07 44-70  
Email: [info@mwe-gmbh.com](mailto:info@mwe-gmbh.com)

Russia  
Alexander Bart  
Eurotechinvest  
Kachowka, House 30  
Floor I, Residence 13  
117461 Moscow  
Phone: +7 966 8 23 40 19  
+43 664 9 69 10 78  
Telefax: +7 664 9 69 10 78  
Email: [russia@mwe-gmbh.com](mailto:russia@mwe-gmbh.com)

India  
Birinder Singh Dhanjal  
Rana Udyog (P) Ltd  
46C Chowringhee Road  
18D Everest House  
Kolkata - 700071  
West Bengal, India  
Phone: +91 98 31 62 89 32  
Telefax: +91 33 22 88 92 47  
Email: [india@mwe-gmbh.com](mailto:india@mwe-gmbh.com)

Korea  
Hae Young Jung  
INA Corporation  
#1714, Ace High Tech 21 Bldg.  
1470, Woo-Dong, HaeUnDae-Gu,  
Busan 612-020, South Korea  
Phone: +82 51 467 5288  
Telefax: +82 51 467 5289  
Email: [korea@mwe-gmbh.com](mailto:korea@mwe-gmbh.com)